



TRANSPORTABLE RACK CASES

The Ultimate Protection For Your Sensitive Equipment





OUR STORY



SKB Owners/Founders: Dave Sanderson and Steve Kottman

In 1977, two ambitious college students developed the first SKB case in a small Anaheim, California garage. Today, SKB is known around the world as the leading innovator and manufacturer of the finest instrument and equipment cases. Since the inception of our company, in addition to SKB branded products, leading companies have proudly supplied SKB cases for protection of their own products. SKB builds cases for a variety of markets (Industrial/Military, Sports, Music and Photo/Video) and that diversity allows us to be more creative and innovative in our case designs across the board. We have a true sense of accomplishment for more than 40 years of steady growth and for our adherence to quality standards that has made us industry leaders. We never lose sight of the fact that our customers give us the opportunity to excel and we are grateful for their trust and loyalty. We remain dedicated to the assurance that every SKB case has been manufactured with an unconditional commitment to unsurpassed quality and superior protection.

TABLE OF CONTENTS

3RR SERIES	5
3RS SERIES	8
3SKB SERIES	11
1SKB SERIES	14
iSERIES FLY RACKS	16
SPECIALTY RACKS	17
ACCESSORIES	21
RACK SPECIFICATIONS	22

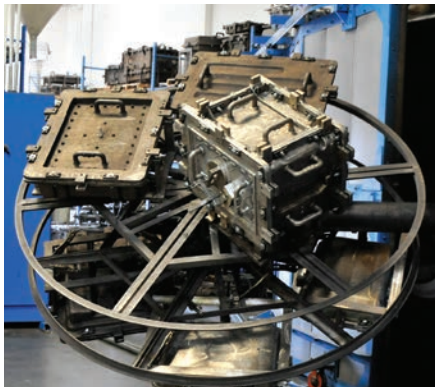




One of our injection molders in action

INJECTION MOLD

This is SKB's latest venture in our quest to provide the most innovative hard shell case products. Injection molding is an expensive investment and there is no room for error. Made with extreme pressure, even the smallest injection molded part requires a very large and heavy mold. SKB has molds that are nearly 20 tons! Many of our parts, such as our patented Trigger Latches are produced by the injection mold process. Our 3i case series includes a gasket that makes the case watertight and dust proof. Our latest injection molded cases for guitars and basses are very popular with touring musicians. These cases have dual lives as they are also used for military weapons. Never before has an ATA flight case been so lightweight, yet so advanced.



Molds rotating during production

ROTO-MOLD

In 1997, SKB invested in roto-mold machinery. These molds are ideal for making larger cases and cylindrical cases. The PE roto-mold material starts as a fine powder that is measured according to the size of the case. The material is then sealed up in a multi-piece aluminum mold and fixed on a biaxial rotating wheel. The material is heated at 800° in a very large oven while constantly rotating. The powder melts and coats the inside of the mold and after cooling, the cast is disassembled and the case is removed. Roto-Molding is great for providing maximum protection and can withstand maximum impact in transport.



Vacuum mold for keyboard case

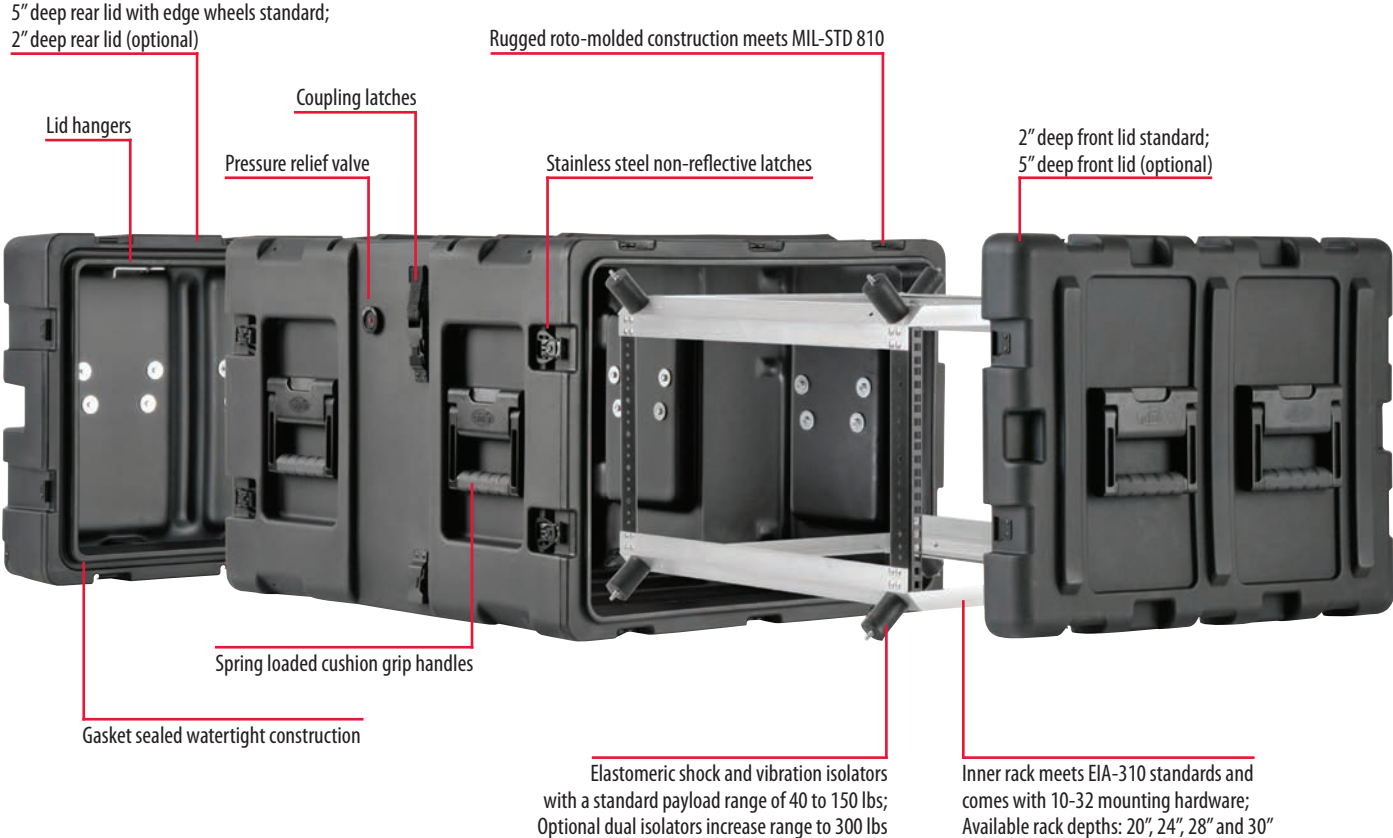
VACUUM FORM

Also known as thermal form, this was the first and most recognized "SKB Style" case. This method is very popular for guitar or band instrument cases. In 1990, SKB developed the first vacuum formed rack case. Acrylonitrile Butadiene Styrene (ABS) or Polyethylene (PE) is formed into solid sheets of material. The sheets are heated and are vacuum formed around aluminum castings, thus taking the shape of the mold. The edges have the distinctive aluminum valance that provides rigid construction as well as a secure fit. Vacuum formed products are known for their light weight and extreme durability.

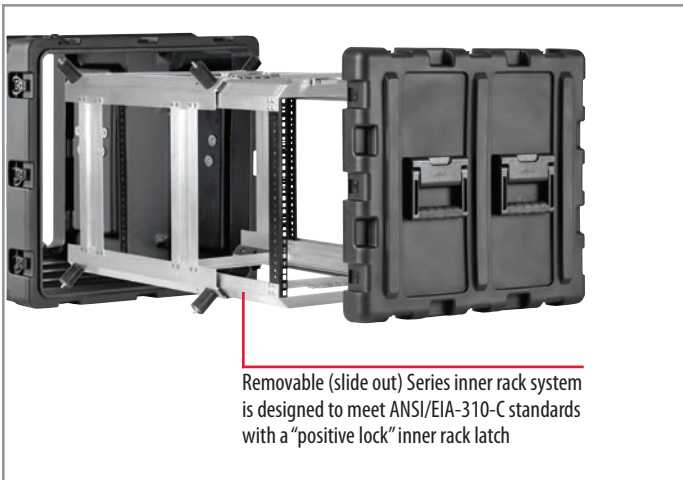


3RS & 3RR SHOCK RACKS

3RS STATIC SHOCK RACK SERIES



3RR REMOVABLE SERIES



SKB CASES IN THE FIELD



30" REMOVABLE SHOCK RACKS

When maximum shock absorption is needed with a sliding rack in the smallest exterior dimensions, this is the choice for this depth

Removable shock rack with patented "positive lock" latching system that slides open like a drawer



FEATURES

- Completely removable frame for access to bench integration
- Meets or exceeds MIL-STD-810G/IP67
- Standard payload range 40 to 150 lbs
- Optional extended payload range 160 to 300 lbs (3SKB-SA*)
- Standard 19" rack width per ANSI/EIA-310-C
- Standard rack depth 30" rail to rail
- Square hole rack rails to accommodate either #10-32 US standard, or 6mm international standard cage nuts - hardware included
- 2" front lid, and 5" rear lid with edge casters (standard); other options available
- SKB's rugged roto-molded shell ensures industry leading strength and impact resistance
- Molded in stacking ribs and lugs are designed to stack with competitive manufacturers' cases
- Black powder coated stainless steel hardware (standard) which is recessed for protection
- 8 comfort grip spring loaded lift handles
- Automatic ambient pressure relief valve (standard)
- Lid hangers (standard)
- Case coupling straps (standard)

AVAILABLE SIZES

Model #	Lid Depth		Rack Units	Rack Height
	Front	Rear		
3RR-3U30-25B	2" 5.1 cm	5" 12.7 cm	3U	5.25" 13.3 cm
3RR-4U30-25B	2" 5.1 cm	5" 12.7 cm	4U	7" 17.8 cm
3RR-5U30-25B	2" 5.1 cm	5" 12.7 cm	5U	8.75" 22.2 cm

ACCESSORIES

3SKB-SA Shock Absorber Kit
Set of 8 extra shock absorbers with a capable load range of 40 to 150 lbs (18 kg to 68 kg)
*Installed by factory only



3SKB-SLP Shipping Label Plate
12" x 7" aluminum label (comes with installation kit)



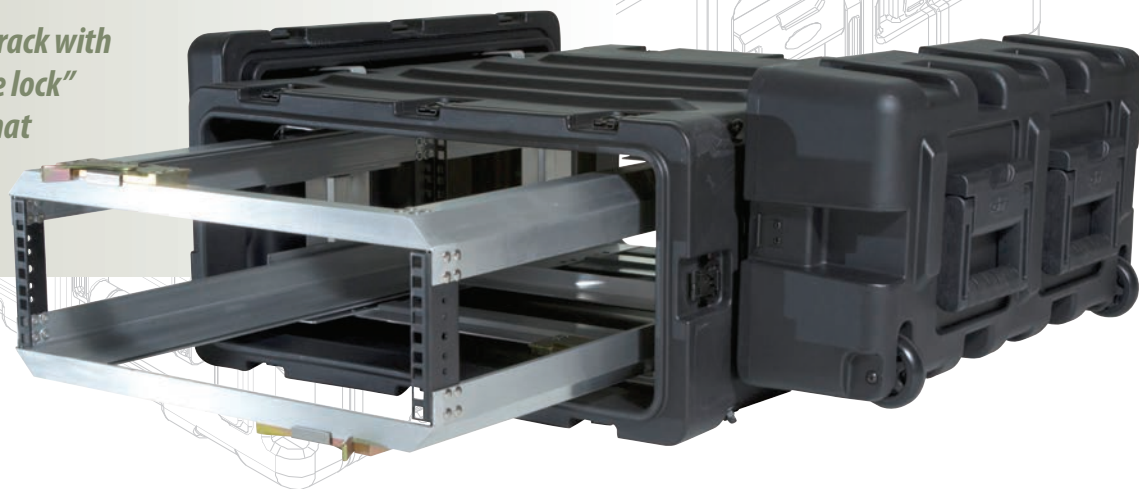
3SKB-SR30 30" Support Rails
Zinc plated steel rails to support additional weight



24" REMOVABLE SHOCK RACKS

When maximum shock absorption is needed with a sliding rack in the smallest exterior dimensions, this is the choice for this depth

Removable shock rack with patented "positive lock" latching system that slides open like a drawer



FEATURES

- Completely removable frame for access to bench integration
- Meets or exceeds MIL-STD-810G/IP67
- Standard payload range 40 to 150 lbs
- Optional extended payload range 160 to 300 lbs (3SKB-SA*)
- Standard 19" rack width per ANSI/EIA-310-C
- Standard rack depth 24" rail to rail
- Square hole rack rails to accommodate either #10-32 US standard, or 6mm international standard cage nuts - hardware included
- 2" front lid, and 5" rear lid with edge casters (standard); other options available
- SKB's rugged roto-molded shell ensures industry leading strength and impact resistance
- Molded in stacking ribs and lugs are designed to stack with competitive manufacturers' cases
- Black powder coated stainless steel hardware (standard) which is recessed for protection
- 8 comfort grip spring loaded lift handles
- Automatic ambient pressure relief valve (standard)
- Lid hangers (standard)
- Case coupling straps (standard)

AVAILABLE SIZES

Model #	Lid Depth		Rack Units	Rack Height
	Front	Rear		
3RR-3U24-25B	2" 5.1 cm	5" 12.7 cm	3U	5.25" 13.3 cm
3RR-4U24-25B	2" 5.1 cm	5" 12.7 cm	4U	7" 17.8 cm
3RR-5U24-25B	2" 5.1 cm	5" 12.7 cm	5U	8.75" 22.2 cm
3RR-7U24-25B	2" 5.1 cm	5" 12.7 cm	7U	12.25" 31.1 cm
3RR-9U24-25B	2" 5.1 cm	5" 12.7 cm	9U	15.75" 40 cm
3RR-11U24-25B	2" 5.1 cm	5" 12.7 cm	11U	19.25" 48.9 cm
3RR-14U24-25B	2" 5.1 cm	5" 12.7 cm	14U	24.5" 62.2 cm

ACCESSORIES

3SKB-SA Shock Absorber Kit
Set of 8 extra shock absorbers with a capable load range of 40 to 150 lbs (18 kg to 68 kg)
*Installed by factory only



3SKB-SLP Shipping Label Plate
12" x 7" aluminum label (comes with installation kit)



3SKB-SR24 24" Support Rails
Zinc plated steel rails to support additional weight



20" REMOVABLE SHOCK RACKS

When maximum shock absorption is needed with a sliding rack in the smallest exterior dimensions, this is the choice for this depth

Removable shock rack with patented "positive lock" latching system that slides open like a drawer



FEATURES

- Completely removable frame for access to bench integration
- Meets or exceeds MIL-STD-810G/IP67
- Standard payload range 40 to 150 lbs
- Optional extended payload range 160 to 300 lbs (3SKB-SA*)
- Standard 19" rack width per ANSI/EIA-310-C
- Standard rack depth 20" rail to rail
- Square hole rack rails to accommodate either #10-32 US standard, or 6mm international standard cage nuts - hardware included
- 2" front lid and 2" rear lid standard; other lid depths available
- SKB's rugged roto-molded shell ensures industry leading strength and impact resistance
- Molded in stacking ribs and lugs are designed to stack with competitive manufacturers' cases
- Black powder coated stainless steel hardware (standard) which is recessed for protection
- 8 comfort grip spring loaded lift handles
- Automatic ambient pressure relief valve (standard)
- Lid hangers (standard)
- Case coupling straps (standard)

AVAILABLE SIZES

Model #	Lid Depth		Rack Units	Rack Height
	Front	Rear		
3RR-3U20-22B	2" 5.1 cm	2" 5.1 cm	3U	5.25" 13.3 cm
3RR-4U20-22B	2" 5.1 cm	2" 5.1 cm	4U	7" 17.8 cm
3RR-5U20-22B	2" 5.1 cm	2" 5.1 cm	5U	8.75" 22.2 cm
3RR-6U20-22B	2" 5.1 cm	2" 5.1 cm	6U	10.5" 26.7 cm
3RR-7U20-22B	2" 5.1 cm	2" 5.1 cm	7U	12.25" 31.1 cm
3RR-9U20-22B	2" 5.1 cm	2" 5.1 cm	9U	15.75" 40 cm
3RR-11U20-22B	2" 5.1 cm	2" 5.1 cm	11U	19.25" 48.9 cm
3RR-14U20-22B	2" 5.1 cm	2" 5.1 cm	14U	24.5" 62.2 cm

ACCESSORIES

3SKB-SA Shock Absorber Kit
Set of 8 extra shock absorbers with a capable load range of 40 to 150 lbs (18 kg to 68 kg)
*Installed by factory only



3SKB-SLP Shipping Label Plate
12" x 7" aluminum label (comes with installation kit)



3SKB-SR20 20" Support Rails
Zinc plated steel rails to support additional weight



30" STATIC SHOCK RACKS

When maximum shock isolation is needed but a sliding frame is not, this fixed rack case gives our best performance with the smallest exterior dimension foot print for this depth

30" deep static frame shock racks with square hole rails, and the same durability/strength as the 3RR



FEATURES

- Meets or exceeds MIL-STD-810G/IP67
- Standard payload range 40 to 150 lbs
- Optional extended payload range 160 to 300 lbs (3SKB-SA*)
- Standard 19" rack width per ANSI/EIA-310-C
- Standard rack depth 30" rail to rail
- Square hole rack rails to accommodate either #10-32 US standard, or 6mm international standard cage nuts - hardware included
- 2" front lid, and 5" rear lid with edge casters (standard); other options available
- SKB's rugged roto-molded shell ensures industry leading strength and impact resistance
- Molded in stacking ribs and lugs are designed to stack with competitive manufacturers' cases
- Black powder coated stainless steel hardware (standard) which is recessed for protection
- 8 comfort grip spring loaded lift handles
- Automatic ambient pressure relief valve (standard)
- Lid hangers (standard)
- Case coupling straps (standard)
- Reduced footprint
- Low profile
- Light weight
- Lifetime warranty

AVAILABLE SIZES

Model #	Lid Depth		Rack Units	Rack Height
	Front	Rear		
3RS-3U30-25B	2" 5.1 cm	5" 12.7 cm	3U	5.5" 14 cm
3RS-4U30-25B	2" 5.1 cm	5" 12.7 cm	4U	7" 17.8 cm
3RS-5U30-25B	2" 5.1 cm	5" 12.7 cm	5U	8.75" 22.2 cm

ACCESSORIES

3SKB-SA Shock Absorber Kit
Set of 8 extra shock absorbers with a capable load range of 40 to 150 lbs (18 kg to 68 kg)
*Installed by factory only



3SKB-SLP Shipping Label Plate
12" x 7" aluminum label (comes with installation kit)



3SKB-SR30 30" Support Rails
Zinc plated steel rails to support additional weight



24" STATIC SHOCK RACKS

When maximum shock isolation is needed but a sliding frame is not, this fixed rack case gives our best performance with the smallest exterior dimension foot print for this depth

24" deep static frame shock racks with square hole rails, and the same durability/strength as the 3RR



FEATURES

- Meets or exceeds MIL-STD-810G/IP67
- Standard payload range 40 to 150 lbs
- Optional extended payload range 160 to 300 lbs (3SKB-SA*)
- Standard 19" rack width per ANSI/EIA-310-C
- Standard rack depth 24" rail to rail
- Square hole rack rails to accommodate either #10-32 US standard, or 6mm international standard cage nuts - hardware included
- 2" front lid, and 5" rear lid with edge casters (standard); other options available
- SKB's rugged roto-molded shell ensures industry leading strength and impact resistance
- Molded in stacking ribs and lugs are designed to stack with competitive manufacturers' cases
- Black powder coated stainless steel hardware (standard) which is recessed for protection
- 8 comfort grip spring loaded lift handles
- Automatic ambient pressure relief valve (standard)
- Lid hangers (standard)
- Case coupling straps (standard)
- Reduced footprint
- Low profile
- Light weight
- Lifetime warranty

AVAILABLE SIZES

Model #	Lid Depth		Rack Units	Rack Height
	Front	Rear		
3RS-3U24-25B	2" 5.1 cm	5" 12.7 cm	3U	5.5" 14 cm
3RS-4U24-25B	2" 5.1 cm	5" 12.7 cm	4U	7" 17.8 cm
3RS-5U24-25B	2" 5.1 cm	5" 12.7 cm	5U	8.75" 22.2 cm
3RS-7U24-25B	2" 5.1 cm	5" 12.7 cm	7U	12.25" 31.1 cm
3RS-9U24-25B	2" 5.1 cm	5" 12.7 cm	9U	15.75" 40 cm
3RS-11U24-25B	2" 5.1 cm	5" 12.7 cm	11U	19.25" 48.9 cm
3RS-14U24-25B	2" 5.1 cm	5" 12.7 cm	14U	24.5" 62.2 cm

ACCESSORIES

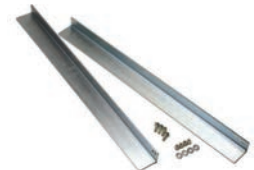
3SKB-SA Shock Absorber Kit
Set of 8 extra shock absorbers with a capable load range of 40 to 150 lbs (18 kg to 68 kg)
*Installed by factory only



3SKB-SLP Shipping Label Plate
12" x 7" aluminum label (comes with installation kit)



3SKB-SR24 24" Support Rails
Zinc plated steel rails to support additional weight



20" STATIC SHOCK RACKS

When maximum shock isolation is needed but a sliding frame is not, this fixed rack case gives our best performance with the smallest exterior dimension foot print for this depth

20" deep static frame shock racks with square hole rails, and the same durability/strength as the 3RR



FEATURES

- Meets or exceeds MIL-STD-810G/IP67
- Standard payload range 40 to 150 lbs
- Optional extended payload range 160 to 300 lbs (3SKB-SA*)
- Standard 19" rack width per ANSI/EIA-310-C
- Standard rack depth 20" rail to rail
- Square hole rack rails to accommodate either #10-32 US standard, or 6mm international standard cage nuts - hardware included
- 2" front lid and 2" rear lid standard; other lid depths available
- SKB's rugged roto-molded shell ensures industry leading strength and impact resistance
- Molded in stacking ribs and lugs are designed to stack with competitive manufacturers' cases
- Black powder coated stainless steel hardware (standard) which is recessed for protection
- 8 comfort grip spring loaded lift handles
- Automatic ambient pressure relief valve (standard)
- Lid hangers (standard)
- Case coupling straps (standard)
- Reduced footprint
- Low profile
- Light weight
- Lifetime warranty

AVAILABLE SIZES

Model #	Lid Depth		Rack Units	Rack Height
	Front	Rear		
3RS-3U20-22B	2" 5.1 cm	2" 5.1 cm	3U	5.25" 13.3 cm
3RS-4U20-22B	2" 5.1 cm	2" 5.1 cm	4U	7" 17.8 cm
3RS-5U20-22B	2" 5.1 cm	2" 5.1 cm	5U	8.75" 22.2 cm
3RS-6U20-22B	2" 5.1 cm	2" 5.1 cm	6U	10.5" 26.7 cm
3RS-7U20-22B	2" 5.1 cm	2" 5.1 cm	7U	12.25" 31.1 cm
3RS-9U20-22B	2" 5.1 cm	2" 5.1 cm	9U	15.75" 40 cm
3RS-11U20-22B	2" 5.1 cm	2" 5.1 cm	11U	19.25" 48.9 cm
3RS-14U20-22B	2" 5.1 cm	2" 5.1 cm	14U	24.5" 62.2 cm

ACCESSORIES

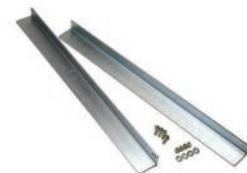
3SKB-SA Shock Absorber Kit
Set of 8 extra shock absorbers with a capable load range of 40 to 150 lbs (18 kg to 68 kg)
*Installed by factory only



3SKB-SLP Shipping Label Plate
12" x 7" aluminum label (comes with installation kit)



3SKB-SR20 20" Support Rails
Zinc plated steel rails to support additional weight



3SKB SERIES



30" ROTO SHOCK RACKS

When shock isolation is needed and overall value is of concern, this series is a great option for this depth

Roto-molded shock rack with threaded steel rails, aluminum interior "H" shaped frame for maximum strength and compound hinge system, 30" deep to fit deeper servers



FEATURES

- Front and rear threaded steel rails
- Patented compound hinged doors
- Mounting hardware included
- Shock and water resistant
- Casters
- Gasket sealed doors
- Automatic ambient pressure relief valve (standard)
- Stainless steel key-lockable field replaceable latches
- Removable 4" casters (standard)
- Stacks securely with the wheels on or off
- Recessed latches
- Adjustable elastomer shock absorbers
- Provisions to add additional shocks
- Roto-molded for strength

AVAILABLE SIZES

Model #	Lid Depth		Rack Units	Rack Height
	Front	Rear		
3SKB-R904U30	4.5" 11.4 cm	4.5" 11.4 cm	4U	7" 17.8 cm
3SKB-R906U30	4.5" 11.4 cm	4.5" 11.4 cm	6U	10.5" 26.7 cm
3SKB-R908U30	4.5" 11.4 cm	4.5" 11.4 cm	8U	14" 35.6 cm
3SKB-R910U30	4.5" 11.4 cm	4.5" 11.4 cm	10U	17.5" 44.5 cm

ACCESSORIES

- 1SKB19-AC1 Rack Mount Hardware**
Package of 12 clips and screws for mounting electronics
- 3SKB-BB60 Small Accessory Pocket**
20" x 10" x 3" pocket that attaches to case lids (comes with hardware)
- 3SKB-BB61 Large Accessory Pocket**
20" x 15.5" x 3" pocket that attaches to case lids (comes with hardware)
- 3SKB-BB62 Caster Accessory Bag**
12" x 9.5" x 3.5" accessory bag with compartments (comes with hardware)
- 3SKB-HPK Heavy Payload Kit**
Load spreaders for stability, and extra shock absorbers for shock and vibration when additional weight is required; load capacity 150 lbs to 300 lbs (fits all 3SKB 24", 28" and 30" shock racks)
- 3SKB-SLP Shipping Label Plate**
12" x 7" aluminum label (comes with installation kit)
- 3SKB-SR30 30" Support Rails**
Zinc plated steel rails to support additional weight



28" ROTO SHOCK RACKS

When shock isolation is needed and overall value is of concern, this series is a great option for this depth

Roto-molded shock rack with threaded steel rails, aluminum interior "H" shaped frame for maximum strength, and compound hinge system, 28" deep to fit deeper servers



FEATURES

- Includes Adjustable Rail Conversion System (ARCS)
- Patented compound hinged doors
- Mounting hardware included
- Rear rails
- Casters
- Shock and water resistant
- Gasket sealed doors
- Automatic ambient pressure relief valve (standard)
- Stainless steel key-lockable field replaceable latches
- Removable 4" casters (standard)
- Stacks securely with the wheels on or off
- Recessed latches
- Adjustable elastomer shock absorbers
- Provisions to add additional shocks
- Roto-molded for strength

AVAILABLE SIZES

Model #	Lid Depth		Rack Units	Rack Height
	Front	Rear		
3SKB-R904U28	4.5" 11.4 cm	4.5" 11.4 cm	4U	7" 17.8 cm
3SKB-R906U28	4.5" 11.4 cm	4.5" 11.4 cm	6U	10.5" 26.7 cm
3SKB-R908U28	4.5" 11.4 cm	4.5" 11.4 cm	8U	14" 35.6 cm
3SKB-R910U28	4.5" 11.4 cm	4.5" 11.4 cm	10U	17.5" 44.5 cm

ACCESSORIES

3SKB-BB60

Small Accessory Pocket

20" x 10" x 3" attaches to case lids (comes with hardware)

3SKB-BB61

Large Accessory Pocket

20" x 15.5" x 3" attaches to case lids (comes with hardware)

3SKB-BB62

Caster Accessory Bag

12" x 9.5" x 3.5" accessory bag with compartments (comes with hardware)

3SKB-HPK

Heavy Payload Kit

Load spreaders for stability, and extra shock absorbers for shock and vibration when additional weight is required; load capacity 150 lbs to 300 lbs (fits all 3SKB 24", 28" and 30" shock racks)

3SKB-SLP

Shipping Label Plate

12" x 7" aluminum label (comes with installation kit)

3SKB-SR28

28" Support Rails

Zinc plated steel rails to support additional weight

24" ROTO SHOCK RACKS

When shock isolation is needed and overall value is of concern, this series is a great option for this depth

Roto-molded shock rack with threaded steel rails, aluminum interior "H" shaped frame for maximum strength, and compound hinge system, 24" deep to fit deeper servers



FEATURES

- Front and rear threaded steel rails
- Patented compound hinged doors
- Mounting hardware included
- Shock and water resistant
- Casters
- Gasket sealed doors
- Automatic ambient pressure relief valve (standard)
- Stainless steel key-lockable field replaceable latches
- Removable 4" casters (standard)
- Stacks securely with the wheels on or off
- Recessed latches
- Adjustable elastomer shock absorbers
- Provisions to add additional shocks
- Roto-molded for strength

AVAILABLE SIZES

Model #	Lid Depth		Rack Units	Rack Height
	Front	Rear		
3SKB-R904U24	4.5" 11.4 cm	4.5" 11.4 cm	4U	7" 17.8 cm
3SKB-R906U24	4.5" 11.4 cm	4.5" 11.4 cm	6U	10.5" 26.7 cm
3SKB-R908U24	4.5" 11.4 cm	4.5" 11.4 cm	8U	14" 35.6 cm
3SKB-R910U24	4.5" 11.4 cm	4.5" 11.4 cm	10U	17.5" 44.5 cm
3SKB-R912U24	4.5" 11.4 cm	4.5" 11.4 cm	12U	21" 53.3 cm
3SKB-R914U24	4.5" 11.4 cm	4.5" 11.4 cm	14U	24.5" 62.2 cm
3SKB-R916U24	4.5" 11.4 cm	4.5" 11.4 cm	16U	28" 71.1 cm

ACCESSORIES

1SKB19-AC1

Rack Mount Hardware

Package of 12 clips and screws for mounting electronics

3SKB-BB60

Small Accessory Pocket

20" x 10" x 3" attaches to case lids (comes with hardware)

3SKB-BB61

Large Accessory Pocket

20" x 15.5" x 3" attaches to case lids (comes with hardware)

3SKB-BB62

Caster Accessory Bag

12" x 9.5" x 3.5" accessory bag with compartments (comes with hardware)

3SKB-HPK

Heavy Payload Kit

Load spreaders for stability, and extra shock absorbers for shock and vibration when additional weight is required; load capacity 150 lbs to 300 lbs (fits all 3SKB 24", 28" and 30" shock racks)

3SKB-SLP

Shipping Label Plate

12" x 7" aluminum label (comes with installation kit)

3SKB-SR24

24" Support Rails

Zinc plated steel rails to support additional weight

20" ROTO SHOCK RACKS

When shock isolation is needed and overall value is of concern, this series is a great option for this depth

Roto-molded shock rack with threaded steel rails, aluminum interior "H" shaped frame for maximum strength



FEATURES

- Includes rear rails, front and rear lid
- Adjustable elastomer shock technology
- Precise level of shock absorption for any load
- Molded handles provide an easy and secure grasping point
- Mounting hardware included

AVAILABLE SIZES

Model #	Lid Depth		Rack Units	Rack Height
	Front	Rear		
*1SKB-R904U20	2.25" 5.7 cm	2.25" 5.7 cm	4U	7" 17.8 cm
*1SKB-R906U20	2.25" 5.7 cm	2.25" 5.7 cm	6U	10.5" 26.7 cm
*1SKB-R908U20	3.25" 8.3 cm	3.25" 8.3 cm	8U	14" 35.6 cm
1SKB-R910U20	3.25" 8.3 cm	3.25" 8.3 cm	10U	17.5" 44.5 cm
1SKB-R912U20	3.25" 8.3 cm	3.25" 8.3 cm	12U	21" 53.3 cm
1SKB-R914U20	3.25" 8.3 cm	3.25" 8.3 cm	14U	24.5" 62.2 cm
1SKB-R916U20	3.25" 8.3 cm	3.25" 8.3 cm	16U	28" 71.1 cm

*Cannot accommodate extra shocks

ACCESSORIES

1SKB-1916

Shockmount Roto Caster Kit

Roto-molded caster board with 3" locking wheels for stacking 20" shock racks for transportation

1SKB19-AC1

Rack Mount Hardware

Package of 12 clips and screws for mounting electronics

3SKB-BB60

Small Accessory Pocket

20" x 10" x 3" attaches to case lids (comes with hardware)

3SKB-BB61

Large Accessory Pocket

20" x 15.5" x 3" attaches to case lids (comes with hardware)

3SKB-BB62

Caster Accessory Bag

12" x 9.5" x 3.5" accessory bag with compartments (comes with hardware)

3SKB-SA

Shock Absorber Kit

Set of 8 extra shock absorbers with a capable load range of 40 to 150 lbs (18 kg to 68 kg)

3SKB-SLP

Shipping Label Plate

12" x 7" aluminum label (comes with installation kit)

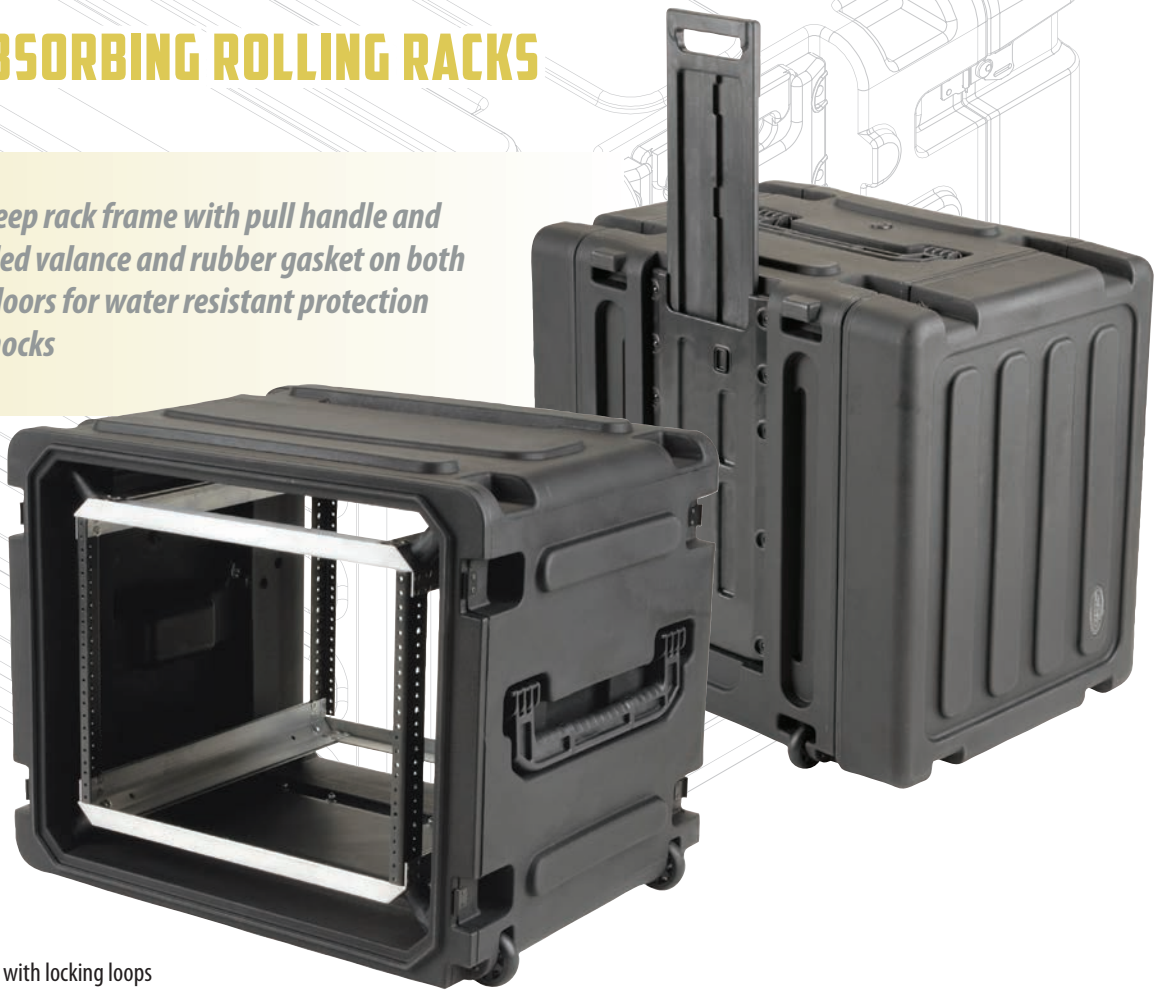
3SKB-SR20

20" Support Rails

Zinc plated steel rails to support additional weight

20" SHOCK ABSORBING ROLLING RACKS

Roto-molded 20" deep rack frame with pull handle and wheels, and a molded valance and rubber gasket on both the front and rear doors for water resistant protection with elastomeric shocks



FEATURES

- Threaded steel rails
- Rear rails
- Built-in wheels
- Shock and water resistant
- Low profile pull handle
- Black powder coated twist latches with locking loops
- Mounting hardware included

AVAILABLE SIZES

Model #	Lid Depth		Rack Units	Rack Height
	Front	Rear		
3SKB-R04U20W	2.25" 5.7 cm	2.25" 5.7 cm	4U	7" 17.8 cm
3SKB-R06U20W	2.25" 5.7 cm	2.25" 5.7 cm	6U	10.5" 26.7 cm
3SKB-R08U20W	3.25" 8.3 cm	3.25" 8.3 cm	8U	14" 35.6 cm
3SKB-R10U20W	3.25" 8.3 cm	3.25" 8.3 cm	10U	17.5" 44.5 cm
3SKB-R12U20W	3.25" 8.3 cm	3.25" 8.3 cm	12U	21" 53.3 cm

ACCESSORIES

1SKB19-AC1

Rack Mount Hardware

Package of 12 clips and screws for mounting electronics

3SKB-BB60

Small Accessory Pocket

20" x 10" x 3" attaches to case lids (comes with hardware)

3SKB-BB61

Large Accessory Pocket

20" x 15.5" x 3" attaches to case lids (comes with hardware)

3SKB-BB62

Caster Accessory Bag

12" x 9.5" x 3.5" accessory bag with compartments (comes with hardware)

3SKB-SA

Shock Absorber Kit

Set of 8 extra shock absorbers with a capable load range of 40 to 150 lbs (18 kg to 68 kg)

3SKB-SLP

Shipping Label Plate

12" x 7" aluminum label (comes with installation kit)

3SKB-SR20

20" Support Rails

Zinc plated steel rails to support additional weight

REMOVABLE RACKS FOR PORTABILITY

Featuring both injection molded cases and racks, our improved waterproof Fly Racks are less than half the weight of standard shock racks and under 62 linear inches to keep from being oversized—the perfect solution for flying or shipping delicate equipment.



FEATURES

- Injection molded removable shock rack cage – hardware included
- 13" rack depth
- Interior foam protection
- Ultra high-strength polypropylene copolymer resin
- UV, solvent, corrosion and fungus resistant (MIL-STD-810F)
- Complete gasket seal makes these cases absolutely watertight (MIL-STD-C-4150J)
- Automatic ambient pressure equalization value (MIL-STD-648C & IP67)
- Molded-in hinges
- TSA Acceptable trigger release latch system
- Rubber over-molded cushion grip handles
- Locking loops to accommodate a customer supplied lock
- Convenient wheels and push button pull handle on 3U and 4U models

AVAILABLE SIZES

Model #	Rack Units	Rack Height	Rack Depth
3i-2217M82U	2U	3.5" 8.9 cm	13" 33.02 cm
3i-2217M103U	3U	5.25" 13.3 cm	13" 33.02 cm
3i-2217M124U	4U	7" 17.8 cm	13" 33.02 cm
3i-2317M146U	6U	10.5" 26.67 cm	13" 33.02 cm
3i-2424-146U	6U	10.5" 26.67 cm	19" 48.26 cm
3i-22221210U	10U	17.5" 44.45 cm	10" 25.4 cm

ACCESSORIES

3i-HD81
iSeries HD81 Large Replacement Colored Handles
 8.625" long colored handles to help differentiate between black cases; available in four colors: (BE) Blue, (RD) Red, (GN) Green and (YW) Yellow



* Customized case sizes available. Check with your dealer or sales representative.



ROTO RACKS

SKB roto-molded racks are 19" deep with a molded-in unbendable valance, threaded steel rails, with self tapping screws



FEATURES

- Roto-molded for strength and durability
- Front and rear gasket sealed covers
- Interlocking stacking ribs
- New size bar cover design
- Recessed latches
- Heavy-duty flush mount handles
- Roto-molded uni-body construction
- Rack mount hardware included for secure front or rear mounting
- Threaded steel rails
- Rear rails included
- Front and rear full size lids
- Molded-in handles
- Shock absorbing feet
- Recessed latches



AVAILABLE SIZES

Model #	Lid Depth		Rack Units	Rack Height
	Front	Rear		
1SKB-R2U	1.25" 3.2 cm	1.25" 3.2 cm	2U	3.5" 8.9 cm
1SKB-R3U	1.25" 3.2 cm	1.25" 3.2 cm	3U	5.25" 13.3 cm
1SKB-R4U	1.25" 3.2 cm	1.25" 3.2 cm	4U	7" 17.8 cm
1SKB-R6U	1.25" 3.2 cm	1.25" 3.2 cm	6U	10.5" 26.7 cm
1SKB-R8U	1.25" 3.2 cm	1.25" 3.2 cm	8U	14" 35.6 cm
1SKB-R10U	1.25" 3.2 cm	1.25" 3.2 cm	10U	17.5" 44.5 cm
1SKB-R12U	1.25" 3.2 cm	1.25" 3.2 cm	12U	21" 53.3 cm

SHALLOW RACKS

10.5" depth shallow racks accommodate a variety of smaller components without unplugging to close the back panel. This case is compact and stacks on all amps.



FEATURES

- Roto-molded for strength and durability
- Front and rear gasket sealed covers
- Interlocking stacking ribs
- Recessed latches
- Heavy-duty flush mount handles
- Shock absorbing rubber feet
- Rack mount hardware included for secure front or rear mounting



AVAILABLE SIZES

Model #	Lid Depth		Rack Units	Rack Height
	Front	Rear		
1SKB-R2S	1.25" 3.2 cm	1.25" 3.2 cm	2U	3.5" 8.9 cm
1SKB-R3S	1.25" 3.2 cm	1.25" 3.2 cm	3U	5.25" 13.3 cm
1SKB-R4S	1.25" 3.2 cm	1.25" 3.2 cm	4U	7" 17.8 cm
1SKB-R6S	1.25" 3.2 cm	1.25" 3.2 cm	6U	10.5" 26.7 cm

NON-SHOCK ROLLING RACKS

Improved Rolling Rack models offer secure protection with the convenience of sturdy wheels and a pull handle



FEATURES

- Stacks with SKB Standard and Shallow Racks
- Military-grade butterfly latches
- Gasket-sealed lids
- Back lid mounted wheels
- Threaded steel rails
- Rear rack rails included
- Rear access door
- Low profile handle



AVAILABLE SIZES

Model #	Lid Depth		Rack Units	Rack Height
	Front	Rear		
1SKB-R4UW	1.5" 3.81 cm	1.5" 3.81 cm	4U	7" 17.8 cm
1SKB-R6UW	1.5" 3.81 cm	1.5" 3.81 cm	6U	10.5" 26.7 cm
1SKB-R8UW	1.5" 3.81 cm	1.5" 3.81 cm	8U	14" 35.6 cm

STUDIO FLYERS

A powerhouse of innovative features packed into a compact size and injection molded to be lighter, stronger, and less expensive than previous models



FEATURES

- Injection molded, waterproof construction
- Molded-in front/rear rack rails
- Rubber cleats to secure laptop on work surface
- Quiet-glide wheels and pull handle



AVAILABLE SIZES

Model #	Top Platform	Rack Units	Rack Height
1SKB-iSF2U	19" x 11" 48.26 cm x 27.94 cm	2U	9.25" 23.5 cm
1SKB-iSF4U	21" x 15.5" 53.34 cm x 39.37 cm	4U	13.5" 34.3 cm

SOFT RACKS

These soft cases have been developed with the focus on portability and includes an adjustable shoulder strap and loop handle for easy transport



FEATURES

- Constructed of a wood core covered by 600 Denier Nylon
- Adjustable shoulder strap and loop handle for easy transport
- 14.8" depth (front rail to back flap)
- Padded front and back lids have heavy duty zippers
- Interior front pouch provides excellent storage of wireless mic antennae
- Exterior zippered pouch is ideal for cables and/or body packs
- Recessed threaded steel rack rails - hardware included
- Covered by SKB's One Year Soft Product Warranty



AVAILABLE SIZES

Model #	Rack Units	Rack Height
1SKB-SC191U	1U	1.75" 4.4 cm
1SKB-SC192U	2U	3.5" 8.9 cm
1SKB-SC193U	3U	5.25" 13.34 cm
1SKB-SC194U	4U	7" 17.78 cm

COMPACT RIGS

The perfect rack mount solution for carrying and protecting smaller pro audio gear as well as complete rolling transportation systems



FEATURES

- Rotationally molded of Linear Medium Density Polyethylene (LMDPE) for maximum impact resistance
- 10U, 7° angled top threaded steel rails for secure mounting of popular mixers/DJ controllers
- 2U/4U/6U threaded vertical steel rails on front
- Top and doors are injection molded of Rubber Modified Styrene (RMS)
- Rack mount hardware included
- Two removable side access plugs



AVAILABLE SIZES

Model #	Top Rack	Rack Units	Rack Height
1SKB-R100	10U	None	11.25" 28.6 cm
1SKB-R102	10U	2U	14.5" 36.8 cm
1SKB-R104	10U	4U	17.75" 45.1 cm
1SKB-R106	10U	6U	21.25" 54 cm
1SKB-R1906		6U Front 6U Back	15" 38.1 cm

GIG RIGS

The SKB Gig Rig series has set the standard for mixer/rack cases for more than 15 years, and the 4th Generation Gig Rig offers even more versatility than previous generations



FEATURES

- Rotationally molded of Linear Medium Density Polyethylene (LMDPE) for maximum impact resistance
- 7° angled top threaded steel rails for secure mounting of popular mixers
- Threaded vertical steel rails on front and back
- Rack mount hardware included
- Unique 3-piece design uses the top cover as a pedestal when attached to the wheeled base



AVAILABLE SIZES

Model #	Top Rack	Vertical Front Rack	Rack Height
1SKB19-R1406	14U	6U Front 6U Back	26.5" 67.3 cm
1SKB19-R1208	12U	8U Front 8U Back	29.5" 74.9 cm



ACCESSORIES

1SKB-1916 Shockmount Roto Caster Kit

Roto-molded caster board with 3" locking wheels for stacking 20" shock racks for convenient transportation



 (page 14 only)

1SKB19-AC1 Rack Mount Hardware

Package of 12 clips and screws for mounting electronics



3SKB-HPK Heavy Payload Kit

Load spreaders for stability, and extra shock absorbers for shock and vibration when additional weight is required; load capacity 150 lbs to 300 lbs (fits all 3SKB 24", 28" and 30" shock racks)



3SKB-SA Shock Absorber Kit

Set of 8 extra shock absorbers with a capable load range of 40 to 150 lbs (18 kg to 68 kg)



3i-HD81 iSeries HD81 Large Replacement Colored Handles

8.625" long colored handles to help differentiate between black cases; available in four colors: (BE) Blue, (RD) Red, (GN) Green and (YW) Yellow



3SKB-SLP Shipping Label Plate

12" x 7" aluminum label that can be mounted for secure labelling (comes with installation kit)



3SKB-BB60 Small Accessory Pocket

Attaches to case lids: 20" x 10" x 3"



3SKB-BB61 Large Accessory Pocket

Attaches to case lids: 20" x 15.5" x 3"



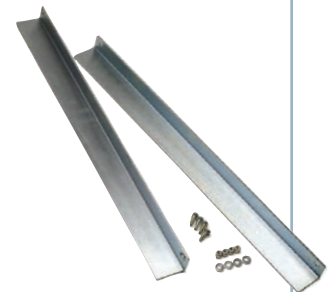
3SKB-BB62 Caster Accessory Bag

12" x 9.5" x 3.5" accessory bag with compartments for storing shock rack casters (comes with hardware)



3SKB-SR20 20" Support Rails

Zinc plated steel rails for additional support



3SKB-SR28 28" Support Rails

Zinc plated steel rails for additional support



3SKB-SR24 24" Support Rails

Zinc plated steel rails for additional support



3SKB-SR30 30" Support Rails

Zinc plated steel rails for additional support



* Customization options available. Check with your dealer or sales representative.

SHOCK RACK SIZE OPTIONS

All Racks Model #	Rack Height U Size			Rack Length/Depth		19 Rack Width		Lid I.D. Front/Back		Length O.D.		Width O.D.		Height O.D.		Product Weight		Shock Absorbers
	U	in	mm	in	mm	in	mm	in	mm	in	mm	in	mm	in	mm	lb	kg	(Y/N)
3RR-3U20-22B	3	5.25	133	20	508	18.31	465	2	51	32.3	819	23.9	607	11	279	44.4	20.1	Y
3RS-3U20-22B	3	5.25	133	20	508	18.31	465	2	51	32.3	819	23.9	607	11	279	34.5	15.6	Y
3RR-3U24-25B	3	5.25	133	24	610	18.31	465	2 / 5	51 / 127	39.1	992	23.8	605	11.8	301	57	25.9	Y
3RS-3U24-25B	3	5.5	140	24	610	18.31	465	2 / 5	51 / 127	39.1	992	23.8	605	11.8	301	46.6	21.1	Y
3RR-3U30-25B	3	5.25	133	30	762	18.31	465	2 / 5	51 / 127	45	1144	23.8	605	11.8	301	50.4	22.9	Y
3RS-3U30-25B	3	5.5	140	30	762	18.31	465	2 / 5	51 / 127	45	1144	28.8	732	11.8	301	50.4	22.9	Y
3RR-4U20-22B	4	7	178	20	508	18.31	465	2	51	32.3	819	23.9	607	13.5	343	TBA	TBA	Y
3RS-4U20-22B	4	7	178	20	508	18.31	465	2	51	32.3	819	23.9	607	13.5	343	TBA	TBA	Y
1SKB-R904U20	4	7	178	20	508	18.31	465	2.25	57	27	686	27.7	702	15.5	394	36	16.3	Y
3SKB-R04U20W	4	7	178	20	508	18.31	465	2.25	57	28.5	724	28	711	16	406	44.3	20.1	Y
3RR-4U24-25B	4	7	178	24	610	18.31	465	2 / 5	51 / 127	39.1	992	23.8	605	13.5	344	66.8	30.3	Y
3RS-4U24-25B	4	7	178	24	610	18.31	465	2 / 5	51 / 127	39.1	992	23.8	605	13.5	344	50.6	23	Y
3SKB-R904U24	4	7	178	24	610	18.31	465	4.5	114	36	914	26.8	679	16.3	413	58	26.3	Y
3SKB-R904U28	4	7	178	29.25	743	18.31	465	4.5	114	42	1067	26.8	679	16.3	413	61.5	27.9	Y
3RR-4U30-25B	4	7	178	30	762	18.31	465	2 / 5	51 / 127	45	1144	23.8	605	13.5	344	66.6	30.2	Y
3RS-4U30-25B	4	7	178	30	762	18.31	465	2 / 5	51 / 127	45	1144	23.8	605	13.5	344	53.8	24.4	Y
3SKB-R904U30	4	7	178	30	762	18.31	465	4.5	114	42	1067	26.8	679	16.3	413	60.8	27.6	Y
3RR-5U20-22B	5	8.75	222	20	508	18.31	465	2	51	32.3	819	23.9	607	15.3	389	TBA	TBA	Y
3RS-5U20-22B	5	8.75	222	20	508	18.31	465	2	51	32.3	819	23.9	607	15.3	389	TBA	TBA	Y
3RR-5U24-25B	5	8.75	222	24	610	18.31	465	2 / 5	51 / 127	39.1	992	23.8	605	15.3	390	66	29.9	Y
3RS-5U24-25B	5	8.75	222	24	610	18.31	465	2 / 5	51 / 127	39.1	992	23.8	605	15.3	390	50.2	22.8	Y
3RR-5U30-25B	5	8.75	222	30	762	18.31	465	2 / 5	51 / 127	45	1144	23.8	605	15.3	390	68.6	31.1	Y
3RS-5U30-25B	5	8.75	222	30	762	18.31	465	2 / 5	51 / 127	45	1144	23.8	605	15.3	390	55.8	25.3	Y
3RR-6U20-22B	6	10.5	267	20	508	18.31	465	2	51	32.3	819	23.9	607	17.1	433	TBA	TBA	Y
3RS-6U20-22B	6	10.5	267	20	508	18.31	465	2	51	32.3	819	23.9	607	17.1	433	TBA	TBA	Y
1SKB-R906U20	6	10.5	267	20	508	18.31	465	2.25	57	27	686	27.8	705	18.9	479	43.3	19.6	Y
3SKB-R06U20W	6	10.5	267	20	508	18.31	465	2.25	57	28.5	724	28	711	19.5	495	50.7	23	Y
3SKB-R906U24	6	10.5	267	24	610	18.31	465	4.5	114	36	914	26.8	679	20	507	66.6	30.2	Y
3SKB-R906U28	6	10.5	267	29.25	743	18.31	465	4.5	114	42	1067	26.8	679	19.5	495	67.8	30.8	Y
3SKB-R906U30	6	10.5	267	30	762	18.31	465	4.5	114	42	1067	26.8	679	19.5	495	66.8	30.3	Y
3RR-7U20-22B	7	12.25	311	20	508	18.31	465	2	51	32.3	819	23.9	607	18.8	478	TBA	TBA	Y
3RS-7U20-22B	7	12.25	311	20	508	18.31	465	2	51	32.3	819	23.9	607	18.8	478	TBA	TBA	Y
3RR-7U24-25B	7	12.25	311	24	610	18.31	465	2 / 5	51 / 127	39.1	992	23.8	605	18.8	479	68.6	31.1	Y
3RS-7U24-25B	7	12.25	311	24	610	18.31	465	2 / 5	51 / 127	39.1	992	23.8	605	18.8	479	55.8	25.3	Y
1SKB-R908U20	8	14	356	20	508	18.31	465	2.25	57	29	737	27.8	705	22.3	565	46.5	21.1	Y
3SKB-R08U20W	8	14	356	20	508	18.31	465	2.25	57	30.5	775	28	711	23	584	56	25.4	Y
3SKB-R908U24	8	14	356	24	610	18.31	465	4.5	114	36	914	26.8	679	23.3	591	74.7	33.9	Y
3SKB-R908U28	8	14	356	29.25	743	18.31	465	4.5	114	42	1067	26.8	679	23.5	597	78.2	35.4	Y
3SKB-R908U30	8	14	356	30	762	18.31	465	4.5	114	42	1067	26.8	679	23.5	597	76.8	34.8	Y
3RR-9U20-22B	9	15.75	400	20	508	18.31	465	2	51	32.3	819	23.9	607	22.3	566	TBA	TBA	Y
3RS-9U20-22B	9	15.75	400	20	508	18.31	465	2	51	32.3	819	23.9	607	22.3	566	TBA	TBA	Y
3RR-9U24-25B	9	15.75	400	24	610	18.31	465	2 / 5	51 / 127	39.1	992	23.8	605	22.3	567	77	34.9	Y
3RS-9U24-25B	9	15.75	400	24	610	18.31	465	2 / 5	51 / 127	39.1	992	23.8	605	22.3	567	65.4	29.6	Y
1SKB-R910U20	10	17.5	445	20	508	18.31	465	3.25	83	29	737	27.8	705	26.1	664	54.4	24.7	Y
3SKB-R10U20W	10	17.5	445	20	508	18.31	465	2.25	57	30.5	775	28	711	26.5	673	59	26.8	Y
3SKB-R910U24	10	17.5	445	24	610	18.31	465	4.5	114	36	914	26.8	679	26.8	679	79.9	36.2	Y
3SKB-R910U28	10	17.5	445	29.25	743	18.31	465	4.5	114	42	1067	26.8	679	27.3	692	81.3	36.9	Y
3SKB-R910U30	10	17.5	445	30	762	18.31	465	4.5	114	42	1067	26.8	679	27.3	692	79.9	36.2	Y
3RR-11U20-22B	11	19.25	489	20	508	18.31	465	2	50.8	32.3	819	23.9	607	25.8	655	TBA	TBA	Y

RACK SPECIFICATIONS



All Racks Model #	Rack Height U Size			Rack Length/Depth		19 Rack Width		Lid I.D. Front/Back		Length O.D.		Width O.D.		Height O.D.		Product Weight		Shock Absorbers
	U	in	mm	in	mm	in	mm	in	mm	in	mm	in	mm	in	mm	lb	kg	(Y/N)
3RS-11U20-22B	11	19.25	489	20	508	18.31	465	2	50.8	32.3	819	23.9	607	25.8	655	TBA	TBA	Y
3RR-11U24-25B	11	19.25	489	24	610	18.31	465	2 / 5	51 / 127	39.1	992	23.8	605	25.8	656	83.2	37.7	Y
3RS-11U24-25B	11	19.25	489	24	610	18.31	465	2 / 5	51 / 127	39.1	992	23.8	605	25.8	656	70	31.8	Y
1SKB-R912U20	12	21	533	20	508	18.31	465	3.25	83	29	737	27.8	705	26.9	683	57	25.8	Y
3SKB-R12U20W	12	21	533	20	508	18.31	465	2.25	57	30.5	775	28	711	30	762	68	30.8	Y
3SKB-R912U24	12	21	533	24	610	18.31	465	4.5	114	36	914	26.8	679	30.5	773	83.3	37.8	Y
3RR-14U20-22B	14	24.5	622	20	508	18.31	465	2	50.8	32.3	819	23.9	607	30.9	785	TBA	TBA	Y
3RS-14U20-22B	14	24.5	622	20	508	18.31	465	2	50.8	32.3	819	23.9	607	30.9	785	TBA	TBA	Y
1SKB-R914U20	14	24.5	622	20	508	18.31	465	3.25	83	29	737	27.9	708	32.4	822	68.6	31.1	Y
3RR-14U24-25B	14	24.5	622	24	610	18.31	465	2 / 5	51 / 127	39.1	992	23.8	605	30.9	786	94.8	43	Y
3RS-14U24-25B	14	24.5	622	24	610	18.31	465	2 / 5	51 / 127	39.1	992	23.8	605	30.9	786	71	32.2	Y
3SKB-R914U24	14	24.5	622	24	610	18.31	465	4.5	114	36	914	26.8	679	34	862	94.2	42.7	Y
1SKB-R916U20	16	28	711	20	508	18.31	465	3.25	83	29	737	27.3	692	35.9	911	76	34.5	Y
3SKB-R916U24	16	28	711	24	610	18.31	465	4.5	114	36	914	26.8	679	38	965	102.6	46.5	Y

NON-SHOCK RACK SIZE OPTIONS * Two rack options available: Bottom rack dimensions listed first

All Racks Model #	Rack Height U Size			Rack Length/Depth		19 Rack Width		Lid I.D. Front/Back		Length O.D.		Width O.D.		Height O.D.		Product Weight		Shock Absorbers
	U	in	mm	in	mm	in	mm	in	mm	in	mm	in	mm	in	mm	lb	kg	(Y/N)
1SKB-SC191U	1	1.75	44	1	25	18.31	465	N/A	N/A	17.5	445	20.8	527	3.8	95	6.6	3	N
1SKB-SC192U	2	3.5	89	2	51	18.31	465	N/A	N/A	17.5	445	20.8	527	6.5	165	9	4.1	N
1SKB-R2S	2	3.5	89	10.7	272	18.31	465	1.25	32	16.2	411	22.4	569	6.1	156	9.4	4.3	N
1SKB-iSF2U	2	3.5	89	11.25	286	18.31	465	2	51	21.8	552	13.9	352	9	229	15.3	6.9	N
3i-2217M82U	2	3.5	89	12.75	324	18.31	465	N/A	N/A	24.4	619	19.5	495	8.8	222	19.1	8.6	N
1SKB-R2U	2	3.5	89	17.6	447	18.31	465	1.25	32	24	610	22.4	569	5.9	149	10.8	4.9	N
1SKB-R3S	3	5.25	133	10.7	272	18.31	465	1.25	32	16.2	411	22.4	569	7.9	200	10.5	4.8	N
3i-2217M103U	3	5.25	133	12.75	324	18.31	465	N/A	N/A	24.3	616	19.5	495	12.3	311	26.5	12	N
1SKB-R3U	3	5.25	133	17.6	447	18.31	465	1.25	32	24	610	22.4	569	7.6	194	12.3	5.6	N
1SKB-R4S	4	7	178	6	152	18.31	465	1.25	32	16.2	411	22.4	569	9.1	231	11.8	5.4	N
3i-2217M124U	4	7	178	12.75	324	18.31	465	N/A	N/A	24.5	622	19.5	495	14.5	368	28.6	13	N
1SKB-iSF4U	4	7	178	11.25	286	18.31	465	2	51	24	610	18.8	476	12.8	324	22.1	10	N
1SKB-R4U	4	7	178	17.6	447	18.31	465	1.25	32	24	610	22.4	569	9.4	238	14.7	6.7	N
1SKB-R4UW	4	7	178	17.5	445	18.31	465	1.5	38	26.5	673	22.5	572	11.5	292	22.9	10.4	N
1SKB-R6S	6	10.5	267	10.7	272	18.31	465	1.25	32	16.2	411	22.4	569	13.1	333	15.9	7.2	N
3i-2317M146U	6	10.5	267	12.75	324	18.31	465	N/A	N/A	25.8	654	19.5	495	15.5	394	31.2	14	N
1SKB-R6U	6	10.5	267	17.6	447	18.31	465	1.25	32	24	610	22.4	569	13	330	18.4	8.3	N
1SKB-R6UW	6	10.5	267	17.5	445	18.31	465	1.5	38	26.5	673	22.5	572	15	381	25.4	11.5	N
1SKB-R8U	8	14	356	17.6	447	18.31	465	1.25	32	24	610	22.4	569	16.7	424	22.3	10.1	N
1SKB-R8UW	8	14	356	17.5	445	18.31	465	1.5	37	26.8	679	22.5	572	18.5	470	28.6	13	N
1SKB-R100	10	17.5	445	5.25	133	18.31	465	N/A	N/A	23.3	591	22.8	578	11.8	298	16.2	7.3	N
1SKB-R10U	10	17.5	445	17.6	447	18.31	465	1.25	32	24	610	22.4	569	20.3	514	23.8	10.8	N
1SKB-R12U	12	21	533	17.6	447	18.31	465	1.25	32	24	610	22.4	569	23.6	600	29.2	13.2	N
*1SKB-R102	10 / 2	17.5 / 3.5	445 / 89	19.5 / 3.5	495 / 89	18.31	465	N/A	N/A	23.1	587	23.1	587	14.1	359	20	9.1	N
1SKB-R102W	10 / 2	17.5 / 3.5	445 / 89	19.5 / 3.5	495 / 89	18.31	465	N/A	N/A	28	711	23.5	597	14.3	362	20	9.1	N
*1SKB-R104	10 / 4	17.5 / 7	445 / 178	19.5 / 3.5	495 / 89	18.32	465	N/A	N/A	23.9	607	23.3	591	17.8	451	22.7	10.3	N
1SKB-R104W	10 / 4	17.5 / 7	445 / 178	19.5 / 3.5	495 / 89	18.31	465	N/A	N/A	27.8	705	23	584	19.3	489	20	9.1	N
*1SKB-R106	10 / 6	17.5 / 10.5	445 / 267	19.5 / 3.5	495 / 89	18.33	466	N/A	N/A	23.6	600	23	584	21.4	544	25.4	11.5	N
1SKB-R106W	10 / 6	17.5 / 10.5	445 / 267	19.5 / 3.5	495 / 89	18.31	465	N/A	N/A	28	711	23	584	22.8	578	37.6	17	N
*1SKB19-R1208	12 / 8	21 / 14	533 / 356	19.5 / 3.5	495 / 89	18.34	466	N/A	N/A	27.5	699	23.5	597	29.5	749	68.6	31.1	N
*1SKB19-R1406	14 / 6	24.5 / 10.5	622 / 267	19.5 / 3.5	495 / 89	18.35	466	N/A	N/A	32.3	819	24	610	26.1	664	69.5	31.5	N



TRANSPORTABLE RACK CASES

The Ultimate Protection For Your Sensitive Equipment

SKB WARRANTY

LIFETIME WARRANTY

SKB injection molded, roto-molded, and ATA-rated hard case products are fully warranted against defects in materials and craftsmanship for the lifetime of the case to the original owner. SKB will repair or replace any product found to be defective. SKB DOES NOT REPLACE CASES FOR DAMAGED HARDWARE. All locks, handles, and wheels have been made to be field replaceable, take just minutes to install, and will be supplied to you at no charge via US mail. Please contact our customer service department at (800) 783-0087 with any parts requests.

SOFT PRODUCT WARRANTY

SKB Soft Products are fully warranted to the original owner against defects in materials and craftsmanship for one (1) year from purchase. Any defects in workmanship will be covered by SKB. Damages due to accident, improper care, negligence or normal wear, where SKB is not at fault, are not covered.



CORPORATE & MANUFACTURING HEADQUARTERS

434 W. Levers Place
Orange CA 92867
ph: (714) 637-1252

www.skbcases.com

SKB EUROPE

Hamelendijk 2
5541 RA Reusel
Netherlands
ph: +31 (0) 497 339 836

www.skbcases.com

SKB MIDDLE EAST—AFRICA

Business Centre, Dubai World Central
(Dubai South)
PO Box: 390667
Dubai Aviation City, Dubai UAE
ph: +971 4 820 8017

www.skbcases-mea.com